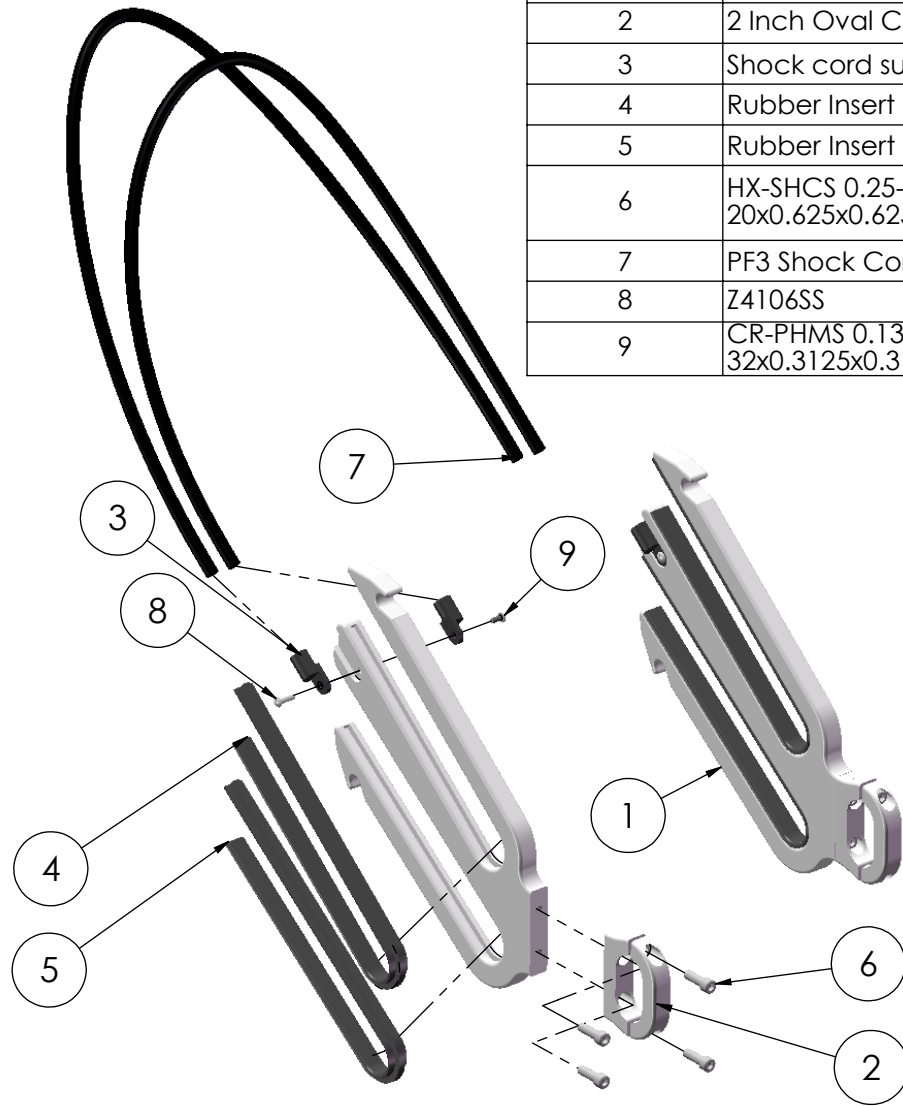


ITEM NO.	PART NUMBER	DESCRIPTION	QTY.
1	PF3 Fork	PF 1.2 Aluminum Wakeboard Fork	2
2	2 Inch Oval Clamp Set	Aluminum 2 Inch Oval Clamp Set	2
3	Shock cord surface mount	Shock cord surface mount	4
4	Rubber Insert PF3		2
5	Rubber Insert PF3		2
6	HX-SHCS 0.25-20x0.625x0.625-N	Stainless socket head cap screw 1/4"- 20 x 5/8"	4
7	PF3 Shock Cord Set	PF 1.2 Shock Cord Set .28 Dia.	1
8	Z4106SS	Stainless Binding post	2
9	CR-PHMS 0.138-32x0.3125x0.3125-C	Binding Post Screw	2



Fluid Concepts
6142 W. Detroit St. #3
Chandler, AZ 85226
480-609-1182 www.fluidconcepts.net

Exploded view for parts identification and assembly

DWG. NO.
PF1.2_manual

REV

SCALE: 1:8

5

4

3

2

1